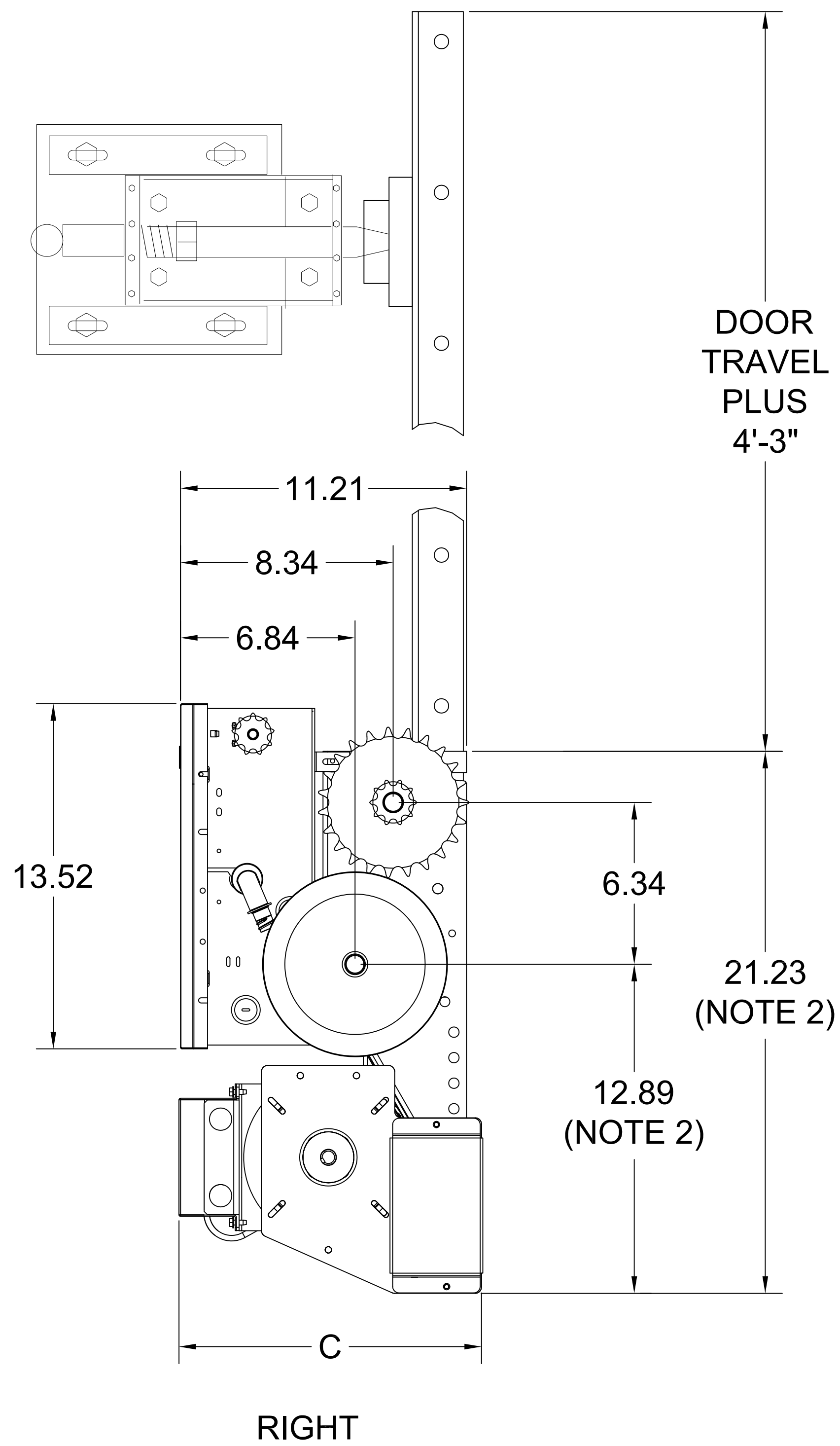


BOTTOM



(SD) LOGIC 5 OPERATOR

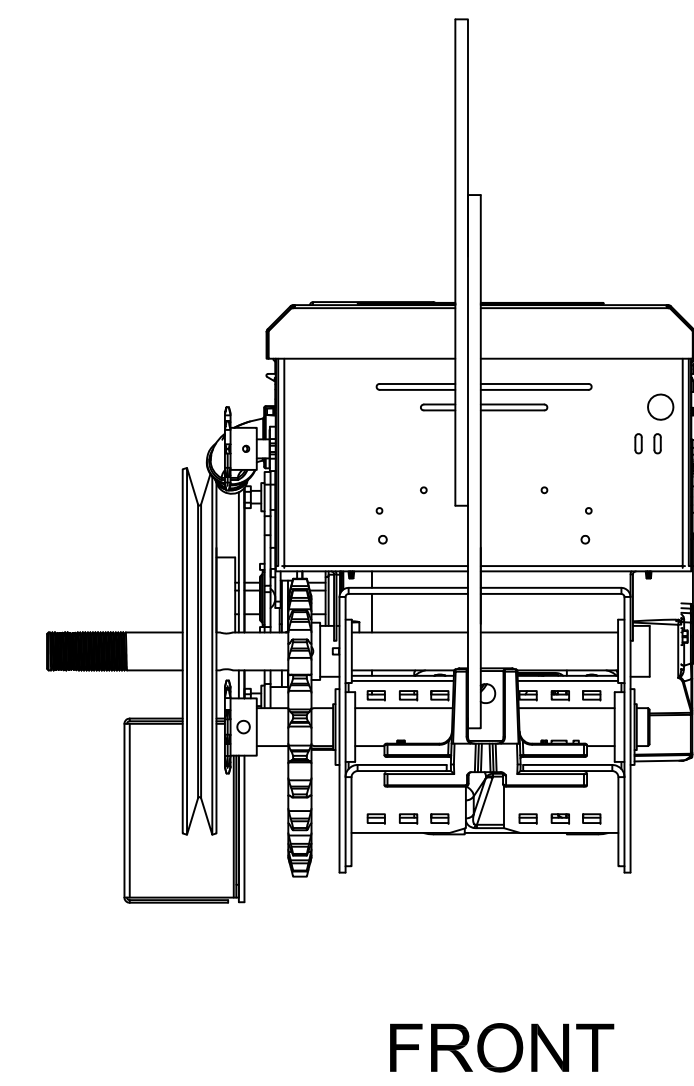
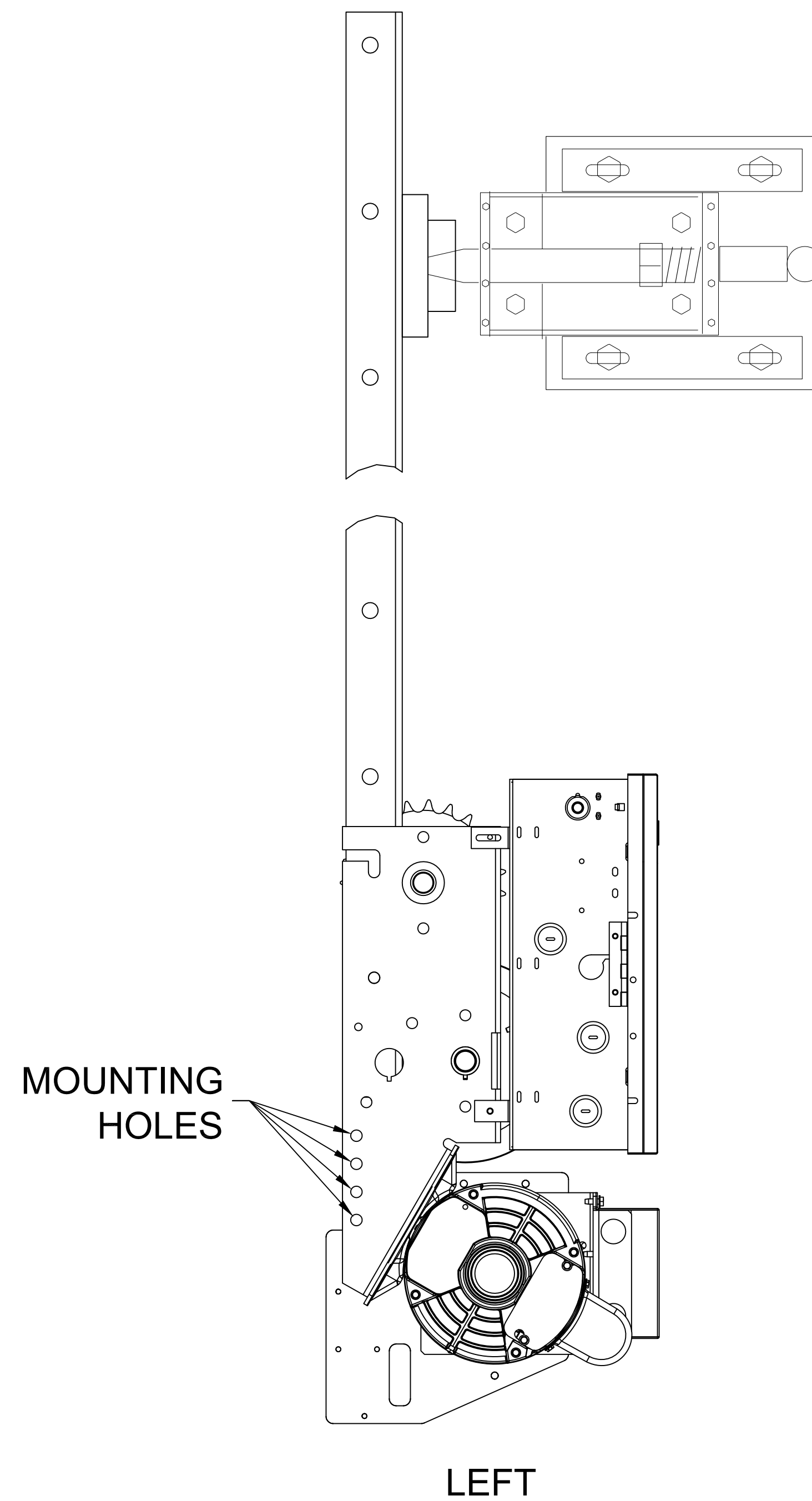
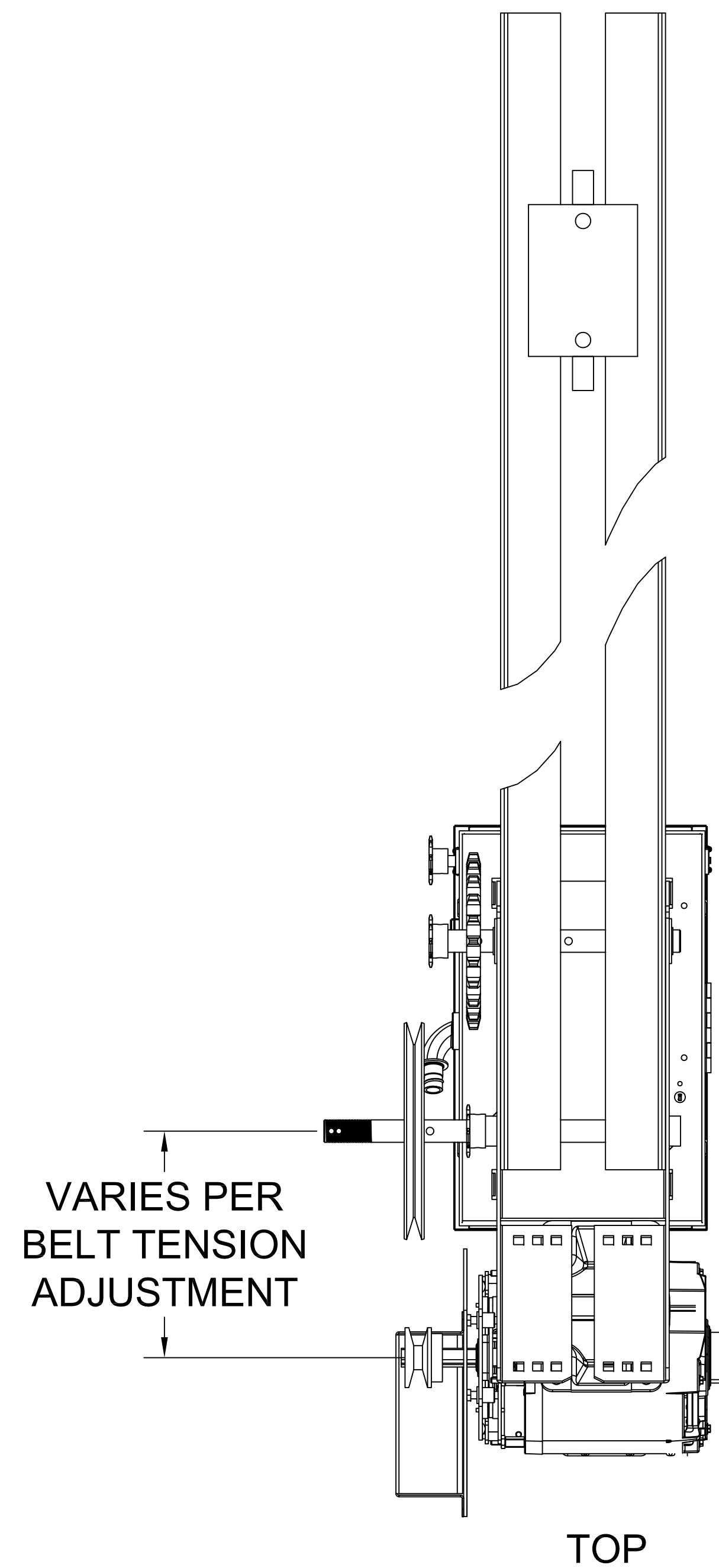
OPERATOR DIMENSION TABLE

HP	PHASE	DIMENSIONS		
		A	B	C
1/2	1	10-15/16"	13-3/8"	(NOTE 2)
3/4	1	11-15/32"	13-27/32"	(NOTE 2)
1	1	12-1/8"	14-15/16"	(NOTE 2)
1/2	3	11-1/2"	13-15/16"	(NOTE 2)
3/4	3	11-1/2"	13-15/16"	(NOTE 2)
1	3	11-1/2"	13-15/16"	(NOTE 2)
-	-	-	-	-
-	-	-	-	-
-	-	-	-	-


NOTES:

1. DIMENSIONS A,B & C MAY VARY PER MOTOR MANUFACTURER SPECIFICATION REVISIONS AND SPECIAL MODIFICATIONS TO THE OPERATOR.
2. DIMENSION WILL VARY PER BELT TENSION ADJUSTMENT. APPROX. "C" DIMENSION IS 12 1/4"

		300 WINDSOR DR. OAK BROOK, IL 60523 PHONE: (630) 418-6516 FAX: (630) 516-7059
DRW. BY: B. MOFFETT DATE: 12/07/2018 TITLE: LIFTMASTER (SD) OPERATOR UNIT CAD FILE: -	REVISION: SCALE: NTS	SHEET NO: 1/2



(SD) LOGIC 5 OPERATOR

		300 WINDSOR DR. OAK BROOK, IL 60523 PHONE: (630) 418-6516 FAX: (630) 516-7059
DRW. BY: B. MOFFETT	REVISION:	SHEET NO:
DATE: 12/07/2018	SCALE: NTS	
TITLE: LIFTMASTER (SD) OPERATOR UNIT		
CAD FILE: -		